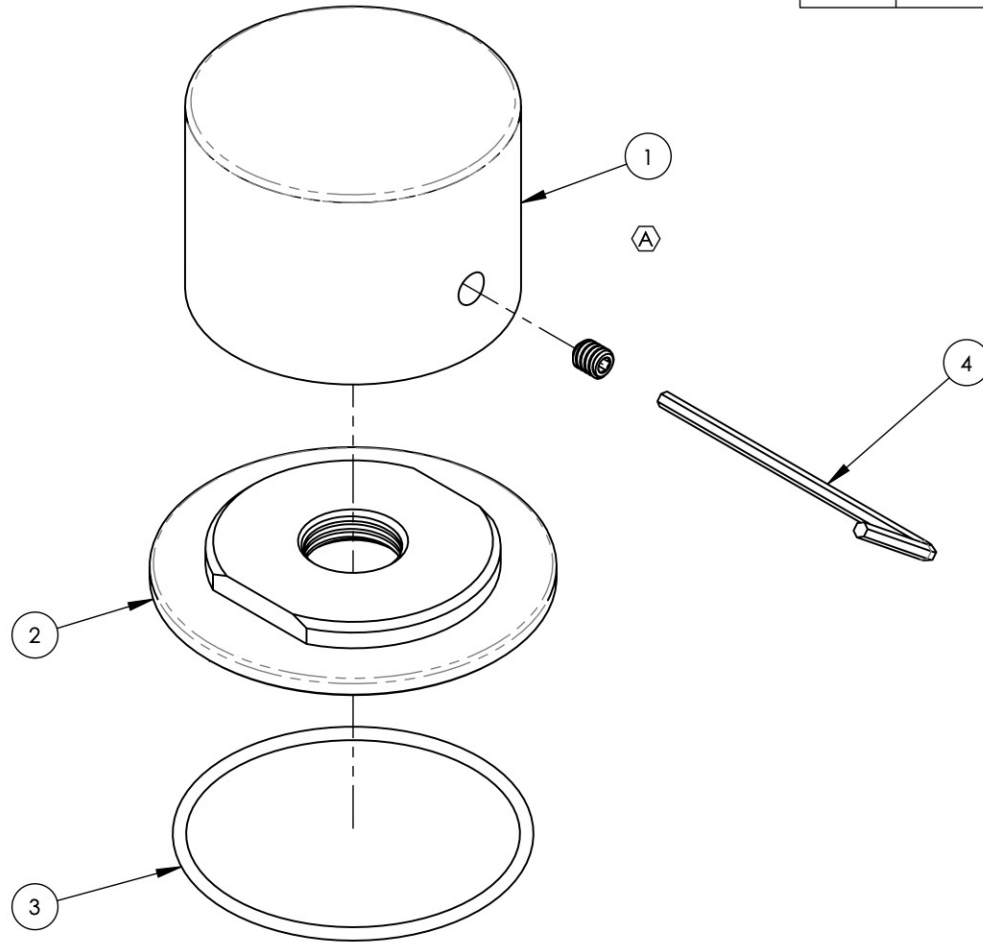


NOTE(S):
 1. EXAMPLE OF SPLIT FINISH CODE:
 A. 230-03/026X030
 2. MARBLE HANDLE STONE OPTIONS:
 A. BLACK MARBLE = 3-570 (.../00X030)
 B. WHITE MARBLE = 3-571 (.../00X031)
 C. SOAPSTONE = 3-572 (.../00X032)

SEE NOTES *

ITEM NO.	PART NUMBER	DESCRIPTION	QTY.
1	3-570	HANDLE, ROUND MARBLE, BLACK (030) ASSY	1
2	11164/00	ESCUTCHEON BASE, CONTEMP. BASIC II	1
3	90031	O-RING, 1-3/4"ID X 1/16"THK, AS-568-031	1
4	P39001	HEX KEY 5/64, FOR 8-32 SET SCREW	1



D4	A	REMOVE SUBASSY IN HANDLE	11/2/2020	AMM
ZONE	REV.	DESCRIPTION	DATE	APPROVED
REVISIONS				

1261 LOGAN AVENUE
 COSTA MESA, CALIFORNIA 92626
 PHONE: 714.361.4800
 FAX: 714.617.3120

PHYL RICH[®]
 Defining Luxury Since 1959

PROPRIETARY AND CONFIDENTIAL
 THE INFORMATION CONTAINED IN THIS DRAWING IS THE SOLE PROPERTY OF PHYL RICH. ANY REPRODUCTION IN PART OR AS A WHOLE WITHOUT THE WRITTEN PERMISSION OF PHYL RICH IS PROHIBITED.

-	-	INTERPRET GEOMETRIC DIMENSIONING & TOLERANCING IN ACCORDANCE WITH ASME Y14.5-2009 & ASME Y14.41-2003 STANDARDS, UNLESS OTHERWISE SPECIFIED. DIMENSIONS ARE IN INCHES. TOLERANCES ARE:		
NEXT ASSY	USED ON	FRACTIONS ±1/16"	DECIMALS X.X: ±.1 X.XX: ±.01 X.XXX: ±.005	ANGULAR ±2°
APPLICATION		MATERIAL	NAME	DATE
FINISH		DRAWN	AMM	4/30/2020
DO NOT SCALE DRAWING		CHECKED		

VOLUME CONTROL/ DIVERTER TRIM,
 MARBLE HANDLE, BASIC II

SIZE A	ASM/PRT NO. 230-37/00	REV A
SCALE: 1:1	WEIGHT: lbs.	SHEET 1 OF 2