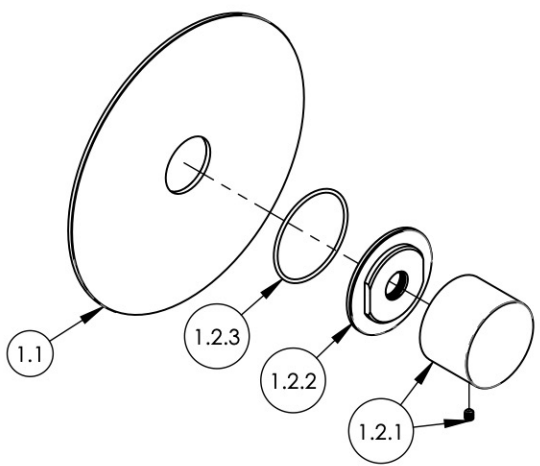
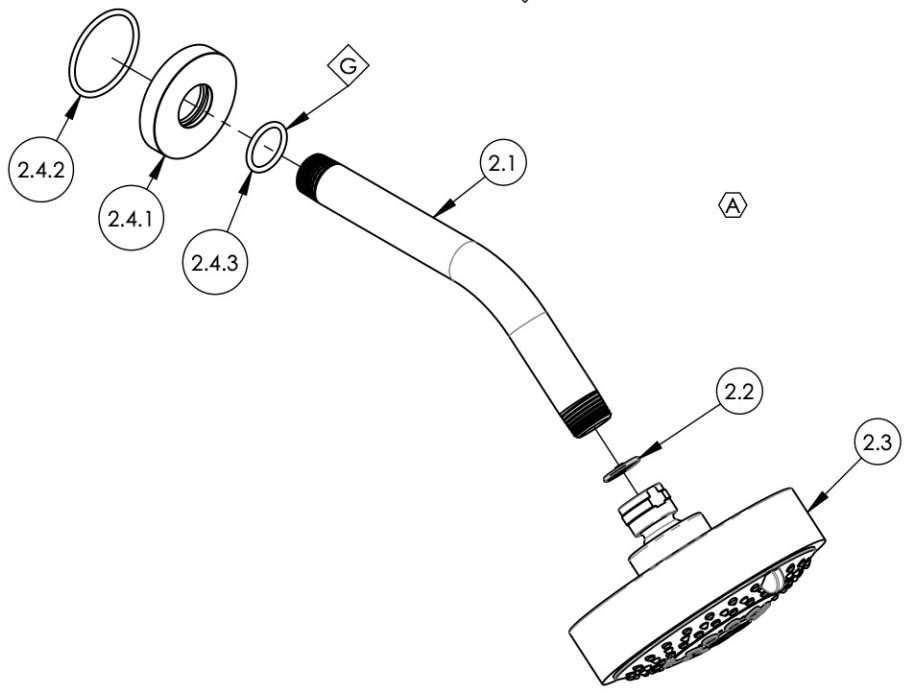


NOTE(S):  
 1. APPLY NSF COMPLIANT GREASE TO ANY O-RING, SEALING JOINTS, AND/OR PIVOTAL POINTS.



ITEM NO.	PART NUMBER	DESCRIPTION	QTY.
1	4-181/00	SHOWER TRIM PLATE, SMOOTH HDL, BASIC II	1
1.1	10443/00	TRIM PLATE 6" ROUND, BASIC II	1
1.2	3-386/00	SUB ASSY. SMOOTH HANDLE, BASIC II	1
1.2.1	2-248/00	HANDLE SMOOTH, BASIC II	1
1.2.2	11164/00	ESCUTCHEON BASE, CONTEMP. BASIC II	1
1.2.3	90031	O-RING, 1-3/4"ID X 1/16"THK, AS-568-031	1
2	4-570/00	CONTEMPORARY MULTI. SHOWER HEAD W/ FLANGE, ROND	1
2.1	P16008/00	SHOWER ARM (8 INCH)	1
2.2	11432	1.75 GPM FLOW REGULATOR	1
2.3	3-454/00	SHOWER HEAD MULTI. FUNC. CONTEMP.	1
2.4	3-700/00	ESCUTCHEON FLANGE, SHOWER ARM, CONTEMPORARY, ROUND	1
2.4.1	P16019/00	BASE SHOWER FLANGE, BASIC SERIES	1
2.4.2	90129	O-RING, 1-9/16"ID X 3/32THK, AS-568-129	1
2.4.3	90117	O-RING, 7/8"ID X 33/32"THK., AS-568-117	1

ALL	A	UPDATE TEMPLATE/ SHOWER ASSY, REMOVE TAPE, ADD CALL OUTS	4/2/2020	AMM
ZONE	REV.	DESCRIPTION	DATE	APPROVED
REVISIONS				

1261 LOGAN AVENUE  
 COSTA MESA, CALIFORNIA 92626  
 PHONE: 714.361.4800  
 FAX: 714.617.3120

**PHYLIRICH®**  
 Defining Luxury Since 1959

**PROPRIETARY AND CONFIDENTIAL**  
 THE INFORMATION CONTAINED IN THIS DRAWING IS THE SOLE PROPERTY OF PHYLIRICH. ANY REPRODUCTION IN PART OR AS A WHOLE WITHOUT THE WRITTEN PERMISSION OF PHYLIRICH IS PROHIBITED.

-		INTERPRET GEOMETRIC DIMENSIONING & TOLERANCING IN ACCORDANCE WITH ASME Y14.5-2009 & ASME Y14.41-2003 STANDARDS, UNLESS OTHERWISE SPECIFIED. DIMENSIONS ARE IN INCHES. TOLERANCES ARE:		
NEXT ASSY	USED ON	FRACTIONS ±1/16"	DECIMALS X.X: ±.1 X.XX: ±.01 X.XXX: ±.005	ANGULAR ±2°
APPLICATION		MATERIAL	NAME	DATE
FINISH		DRAWN	FME	11/11/2015
DO NOT SCALE DRAWING		CHECKED	LLO	

<b>PRESSURE BALANCE SHOWER SET, SMOOTH HANDLE, BASIC II SERIES</b>			
SIZE	ASM/PRT NO.	REV	
<b>A</b>	230-22/00	A	
SCALE: 1:3.5	WEIGHT: lbs.	SHEET 1 OF 2	

5

4

3

2

1

E

E

D

D

C

C

B

B

A

A

5

4

3

2

1