

5

4

3

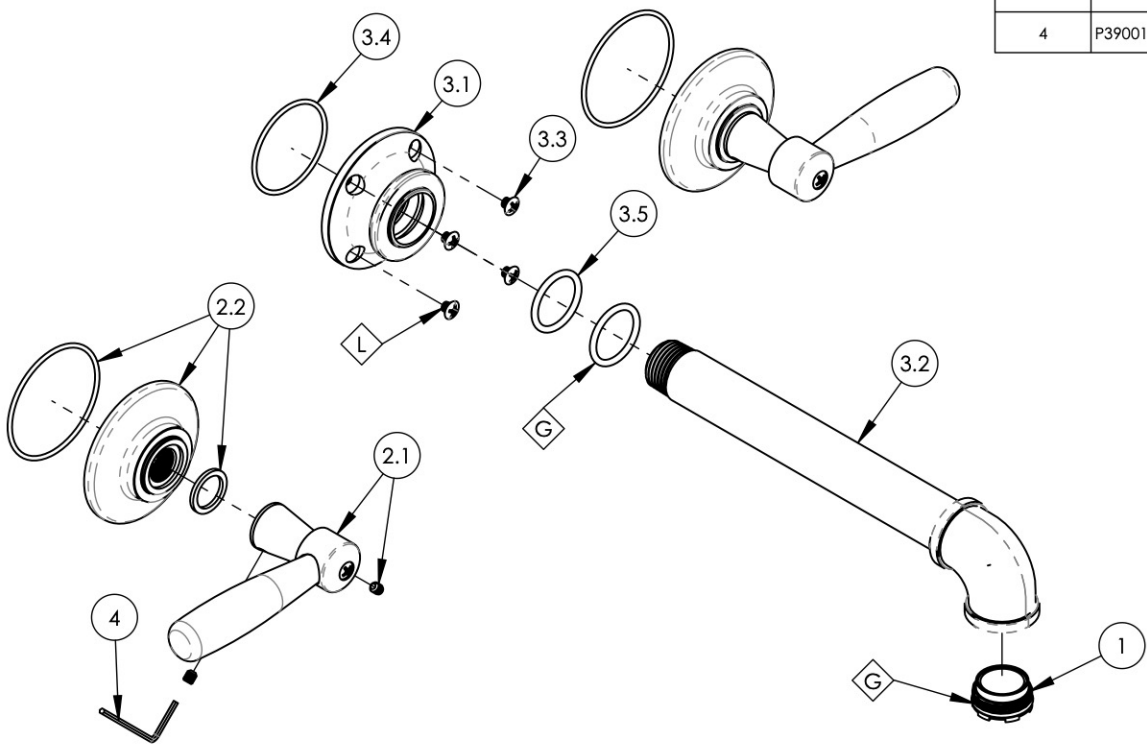
2

1

NOTE(S):

- 1. APPLY NSF COMPLIANT GREASE TO ANY O-RING, SEALING JOINTS, AND/OR PIVOTAL POINTS. G
- 2. APPLY NSF COMPLIANT LOCTITE TO THREADED AREA. L

ITEM NO.	PART NUMBER	DESCRIPTION	QTY.
1	11650	AERATOR, CACHE FULL FLOW, M24X1-6G	1
2	3-615/00	HANDLE LEVER W/ BASE & HARDWARE, WORKS	2
2.1	3-303/00	HANDLE LEVER W/ HARDWARE, WORKS	1
2.2	3-299/00	ESCUTCHEON BASE FOR HANDLE, WORKS	1
3	3-644/00	SPOUT, WALL, W/ HARDWARE, INDUSTRIAL, WORKS	1
3.1	11935/00	ESCUTCHEON BASE, WALL SPOUT	1
3.2	2-350/00	SPOUT, WALL, INDUSTRIAL, BRAZE, WORKS	1
3.3	92431	SCREW, STAINLESS STEEL PHILLIPS HEAD, 8-32 X1/4"L	4
3.4	90029	O-RING, 1-5/8"ID X 1-3/4"OD X 1/16"THK, AS-568-029	1
3.5	90118	O-RING, 7/8"ID X 1-1/16"OD X 3/32"THK, AS-568-118	2
4	P39001	HEX KEY 5/64, FOR 8-32 SET SCREW	1



ZONE	REV.	DESCRIPTION	DATE	APPROVED
REVISIONS				

1261 LOGAN AVENUE
COSTA MESA, CALIFORNIA 92626
PHONE: 714.361.4800
FAX: 714.617.3120

PHYLIRICH[®]
Defining Luxury Since 1959

PROPRIETARY AND CONFIDENTIAL
THE INFORMATION CONTAINED IN THIS DRAWING IS THE SOLE PROPERTY OF PHYLIRICH. ANY REPRODUCTION IN PART OR AS A WHOLE WITHOUT THE WRITTEN PERMISSION OF PHYLIRICH IS PROHIBITED.

-	-	INTERPRET GEOMETRIC DIMENSIONING & TOLERANCING IN ACCORDANCE WITH ASME Y14.5-2009 & ASME Y14.41-2003 STANDARDS, UNLESS OTHERWISE SPECIFIED. DIMENSIONS ARE IN INCHES. TOLERANCES ARE:		
NEXT ASSY	USED ON	FRACTIONS ±1/16"	DECIMALS X.X: ±.1 X.XX: ±.01 X.XXX: ±.005	ANGULAR ±2°
APPLICATION		MATERIAL	NAME	DATE
FINISH		DRAWN	RAH	12/3/2019
DO NOT SCALE DRAWING		CHECKED		

WALL TUB, INDUSTRIAL, LEVER, WORKS

SIZE **A** ASM/PRT NO. **221-57/00** REV -

SCALE: 1:3 WEIGHT: lbs. SHEET 1 OF 2

5

4

3

2

1