

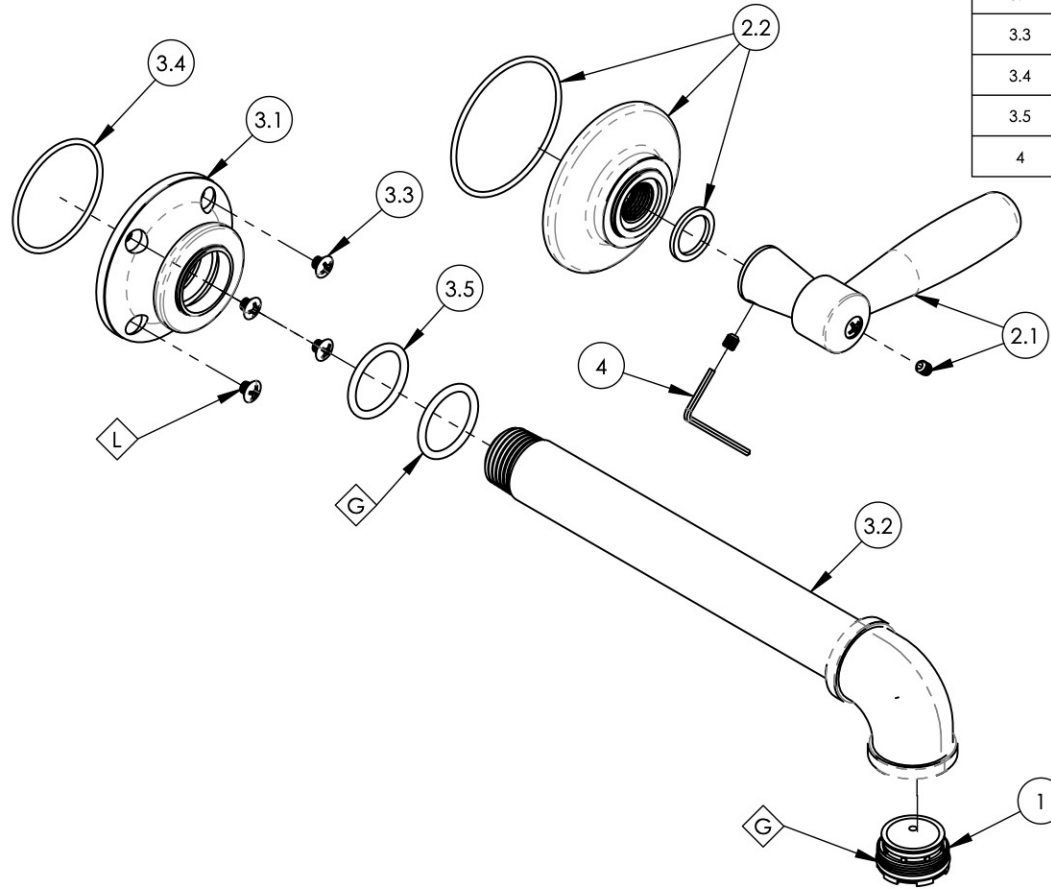
NOTE(S):  
1. PART NUMBER, "/00" DENOTES PART SHALL HAVE FINISH.

2. APPLY NSF COMPLIANT GREASE TO ANY O-RING, SEALING JOINTS, AND/OR PIVOTAL POINTS.

3. APPLY NSF COMPLIANT LOCTITE TO THREADED AREA.



ITEM NO.	PART NUMBER	DESCRIPTION	QTY.
1	11427	AERATOR, CACHE REG, PINK 1.2 GPM, M24X1.0, NEOPERL # 40.2360.010	1
2	3-615/00	HANDLE LEVER W/ BASE & HARDWARE, WORKS	1
2.1	3-303/00	HANDLE LEVER W/ HARDWARE, WORKS	1
2.2	3-299/00	ESCUTCHEON BASE FOR HANDLE, WORKS	1
3	3-644/00	SPOUT, WALL, W/ HARDWARE, INDUSTRIAL, WORKS	1
3.1	11935/00	ESCUTCHEON BASE, WALL SPOUT	1
3.2	2-350/00	SPOUT, WALL, INDUSTRIAL, BRAZE, WORKS	1
3.3	92431	SCREW, STAINLESS STEEL PHILLIPS HEAD, 8-32 X 1/4" L	4
3.4	90029	O-RING, 1-5/8" ID X 1-3/4" OD X 1/16" THK, AS-568-029	1
3.5	90118	O-RING, 7/8" ID X 1-1/16" OD X 3/32" THK, AS-568-118	2
4	P39001	HEX KEY 5/64, FOR 8-32 SET SCREW	1



ZONE	REV.	DESCRIPTION	DATE	APPROVED
REVISIONS				

1261 LOGAN AVENUE  
COSTA MESA, CALIFORNIA 92626  
PHONE: 714.361.4800  
FAX: 714.617.3120

**PHYL RICH**<sup>®</sup>  
Defining Luxury Since 1959

**PROPRIETARY AND CONFIDENTIAL**  
THE INFORMATION CONTAINED IN THIS DRAWING IS THE SOLE PROPERTY OF PHYL RICH. ANY REPRODUCTION IN PART OR AS A WHOLE WITHOUT THE WRITTEN PERMISSION OF PHYL RICH IS PROHIBITED.

-	-	INTERPRET GEOMETRIC DIMENSIONING & TOLERANCING IN ACCORDANCE WITH ASME Y14.5-2009 & ASME Y14.41-2003 STANDARDS, UNLESS OTHERWISE SPECIFIED. DIMENSIONS ARE IN INCHES. TOLERANCES ARE:		
NEXT ASSY	USED ON	<b>FRACTIONS</b> ±1/16"	<b>DECIMALS</b> X.X: ±.1 X.XX: ±.01 X.XXX: ±.005	<b>ANGULAR</b> ±2°
APPLICATION		MATERIAL	NAME	DATE
FINISH		DRAWN	RAH	12/3/2019
<b>DO NOT SCALE DRAWING</b>		CHECKED		

**WALL LAV, SINGLE HANDLE, INDUSTRIAL, LEVER, WORKS**

SIZE **A** ASM/PRT NO. **221-16/00** REV **-**

SCALE: 1:2.5 WEIGHT: lbs. SHEET 1 OF 2