

NOTE(S):
 1. PART NUMBER, "/00" DENOTES PART SHALL HAVE FINISH.

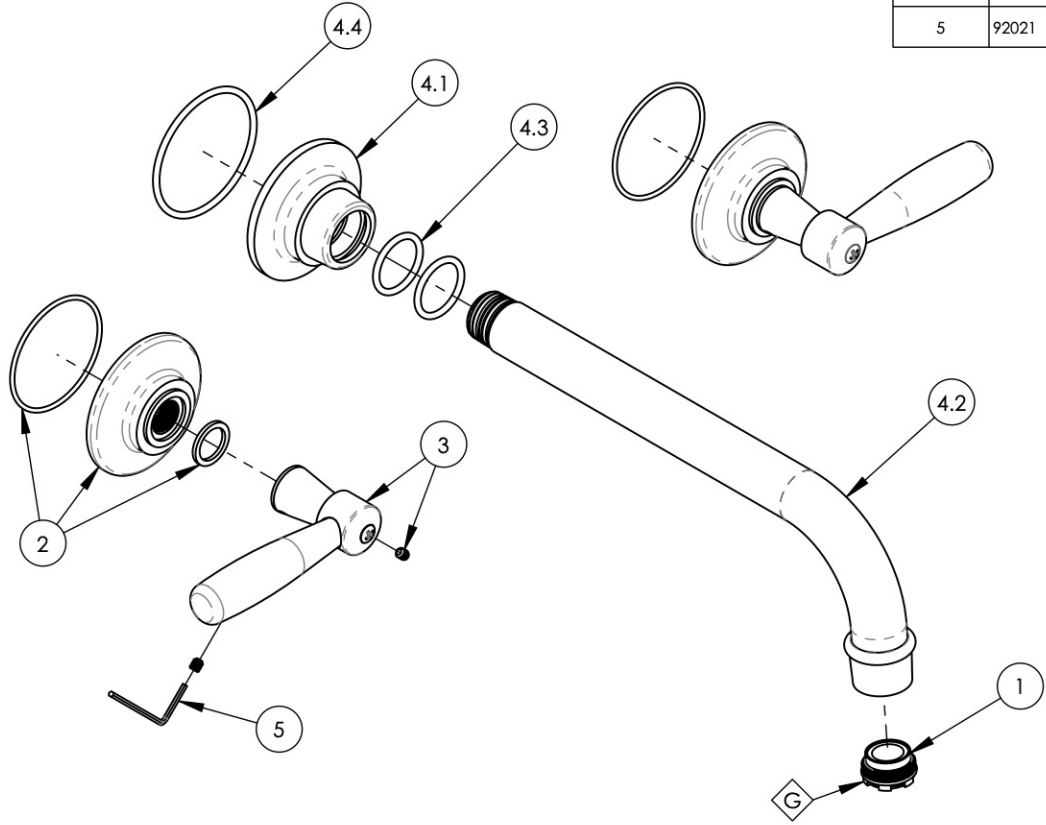
2. APPLY NSF COMPLIANT GREASE TO ANY O-RING, SEALING JOINTS, AND/OR PIVOTAL POINTS. G

3. APPLY NSF COMPLIANT LOCTITE TO THREADED AREA. L

4. APPLY NSF COMPLIANT REMOVABLE (BLUE) LOCTITE TO THREADED AREA. B

5. SILVER SOLDER JOINTS SHALL BE FULLY WETTED VIA CAPILLARY ACTION AND COMPLETELY NON-POROUS. S

| ITEM NO. | PART NUMBER | DESCRIPTION | QTY. |
|----------|-------------|--|------|
| 1 | 10141 | AERATOR, CACHE LAMINAR FULL FLOW NEOPERL 42.3330.010 | 1 |
| 2 | 3-299/00 | ESCUTCHEON BASE FOR HANDLE, WORKS | 2 |
| 3 | 3-303/00 | HANDLE LEVER W/ HARDWARE, WORKS | 2 |
| 4 | 3-643/00 | SPOUT, WALL, W/ HARDWARE, TRADITIONAL, WORKS | 1 |
| 4.1 | 11920/00 | ESCUTCHEON BASE, WALL SPOUT, WORKS | 1 |
| 4.2 | 2-282/00 | ASSY, WALL SPOUT, BRAZE, HEX MODERN | 1 |
| 4.3 | 90118 | O-RING, 7/8"ID X 1-1/16"OD X 3/32"THK, AS-568-118 | 2 |
| 4.4 | 90137 | O-RING, 2-1/16"ID X 3/32"THK., AS-568-137 | 1 |
| 5 | 92021 | HEX KEY 5/64, FOR 8-32 SET SCREW | 1 |



| ZONE | REV. | DESCRIPTION | DATE | APPROVED |
|-----------|------|-------------|------|----------|
| REVISIONS | | | | |

1261 LOGAN AVENUE
 COSTA MESA, CALIFORNIA 92626
 PHONE: 714.361.4800
 FAX: 714.617.3120

PHYLIRICH[®]
 Defining Luxury Since 1959

PROPRIETARY AND CONFIDENTIAL
 THE INFORMATION CONTAINED IN THIS DRAWING IS THE SOLE PROPERTY OF PHYLIRICH. ANY REPRODUCTION IN PART OR AS A WHOLE WITHOUT THE WRITTEN PERMISSION OF PHYLIRICH IS PROHIBITED.
DO NOT SCALE DRAWING

WALL TUB SET, SPOUT 8-1/4" W/ LEVER, WORKS

| | | |
|------------------|--------------------------|--------------|
| SIZE A | ASM/PRT NO. 220-57/00 | REV - |
| SCALE: 1:3 | WEIGHT: lbs. | SHEET 1 OF 2 |