

5

4

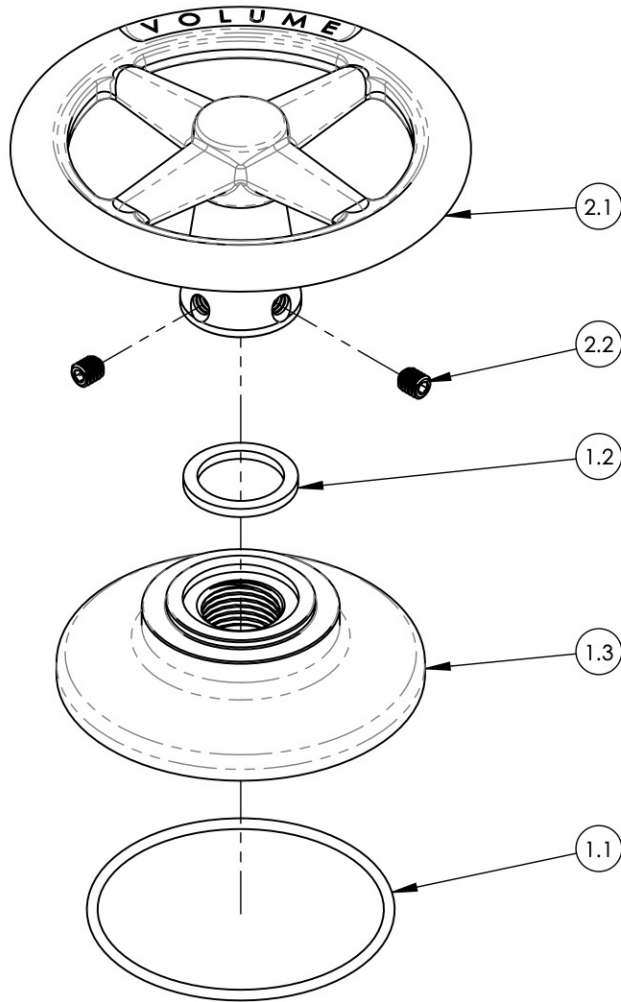
3

2

1

E

E



ITEM NO.	PART NUMBER	DESCRIPTION	QTY.
1	3-299/00	ESCUTCHEON BASE FOR HANDLE, WORKS	1
1.1	90032	O-RING, 1-7/8"ID X 2"OD X 1/16"THK, AS-568-032	1
1.2	92404	WEAR WASHER, HANDLE	1
1.3	11876/00	ESCUTCHEON BASE, HANDLE, WORKS	1
2	3-302/00	HANDLE CROSS, VOLUME, W/ HARDWARE, WORKS	1
2.1	2-344/00	HANDLE CROSS, VOLUME, W/ POST, BRAZE, WORKS	1
2.2	92008	SET SCREW, CUP POINT 8-32, 3/16" L.	2

D

D

C

C

B

B

ZONE	REV.	DESCRIPTION	DATE	APPROVED
REVISIONS				

1261 LOGAN AVENUE
COSTA MESA, CALIFORNIA 92626
PHONE: 714.361.4800
FAX: 714.617.3120

PHYLIRICH[®]
Defining Luxury Since 1959

PROPRIETARY AND CONFIDENTIAL

THE INFORMATION CONTAINED IN THIS DRAWING IS THE SOLE PROPERTY OF PHYLIRICH. ANY REPRODUCTION IN PART OR AS A WHOLE WITHOUT THE WRITTEN PERMISSION OF PHYLIRICH IS PROHIBITED.

-	-	INTERPRET GEOMETRIC DIMENSIONING & TOLERANCING IN ACCORDANCE WITH ASME Y14.5-2009 & ASME Y14.41-2003 STANDARDS, UNLESS OTHERWISE SPECIFIED. DIMENSIONS ARE IN INCHES. TOLERANCES ARE:		
NEXT ASSY	USED ON	FRACTIONS ±1/16"	DECIMALS X.X: ±.1 X.XX: ±.01 X.XXX: ±.005	ANGULAR ±2°
APPLICATION		MATERIAL	NAME	DATE
FINISH		DRAWN	RAH	6/27/2019
DO NOT SCALE DRAWING		CHECKED		

**VOLUME CONTROL/ DIVERTER TRIM,
CROSS, WORKS**

SIZE	ASM/PRT NO.	REV
A	220-35/00	-

SCALE: 1:1.25 WEIGHT: lbs. SHEET 1 OF 2

5

4

3

2

1

A

A