

5

4

3

2

1

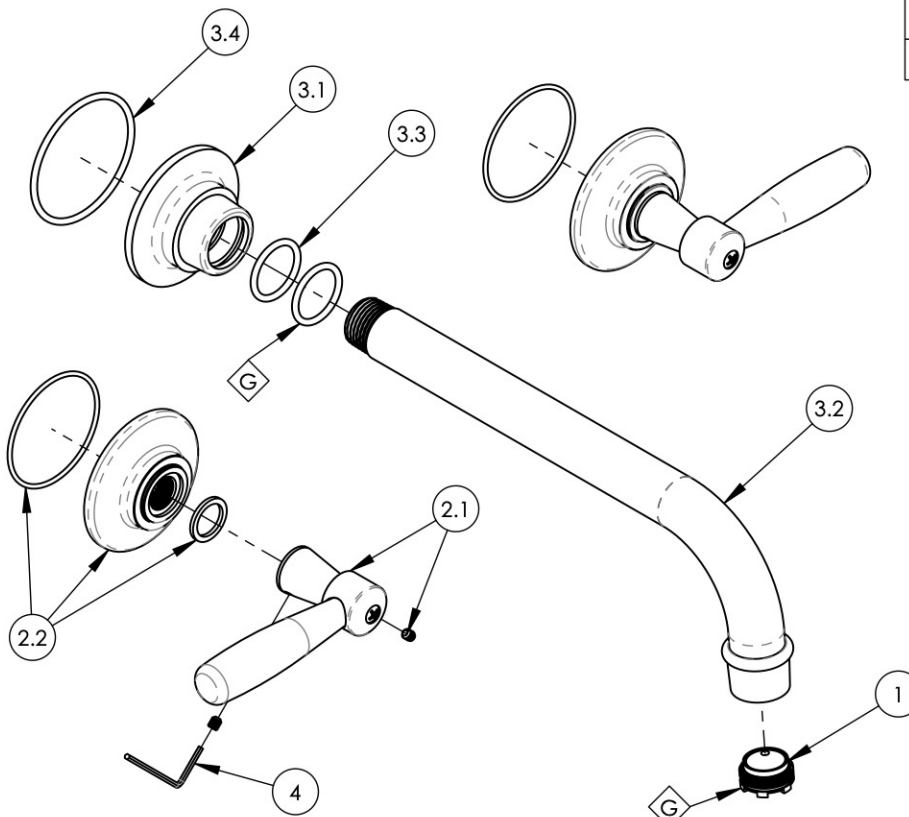
NOTE(S):

1. PART NUMBER, "/00" DENOTES PART SHALL HAVE FINISH.

2. APPLY NSF COMPLIANT GREASE TO ANY O-RING, SEALING JOINTS, AND/OR PIVOTAL POINTS.



ITEM NO.	PART NUMBER	DESCRIPTION	QTY.
1	11429	AERATOR CACHE JUNIOR, 1.2GPM, M21.5X1.0, NEOPERL # 42.2260.450	1
2	3-615/00	HANDLE LEVER W/ BASE & HARDWARE, WORKS	2
2.1	3-303/00	HANDLE LEVER W/ HARDWARE, WORKS	1
2.2	3-299/00	ESCUTCHEON BASE FOR HANDLE, WORKS	1
3	3-643/00	SPOUT, WALL, W/ HARDWARE, TRADITIONAL, WORKS	1
3.1	11920/00	ESCUTCHEON BASE, WALL SPOUT, WORKS	1
3.2	2-282/00	ASSY, WALL SPOUT, BRAZE, HEX MODERN	1
3.3	90118	O-RING, 7/8"ID X 1-1/16"OD X 3/32"THK., AS-568-118	2
3.4	90137	O-RING, 2-1/16"ID X 3/32"THK., AS-568-137	1
4	P39001	HEX KEY 5/64, FOR 8-32 SET SCREW	1



ZONE	REV.	DESCRIPTION	DATE	APPROVED
REVISIONS				

1261 LOGAN AVENUE
COSTA MESA, CALIFORNIA 92626
PHONE: 714.361.4800
FAX: 714.617.3120

PHYLIRICH[®]
Defining Luxury Since 1959

PROPRIETARY AND CONFIDENTIAL
THE INFORMATION CONTAINED IN THIS DRAWING IS THE SOLE PROPERTY OF PHYLIRICH. ANY REPRODUCTION IN PART OR AS A WHOLE WITHOUT THE WRITTEN PERMISSION OF PHYLIRICH IS PROHIBITED.

-	-	INTERPRET GEOMETRIC DIMENSIONING & TOLERANCING IN ACCORDANCE WITH ASME Y14.5-2009 & ASME Y14.41-2003 STANDARDS, UNLESS OTHERWISE SPECIFIED. DIMENSIONS ARE IN INCHES. TOLERANCES ARE:		
NEXT ASSY	USED ON	FRACTIONS ±1/16"	DECIMALS X.X: ±.1 X.XX: ±.01 X.XXX: ±.005	ANGULAR ±2°
APPLICATION		MATERIAL	NAME	DATE
FINISH		DRAWN	AMM	1/20/2020
DO NOT SCALE DRAWING		CHECKED		

WALL LAV, LEVER, WORKS			
SIZE	ASM/PRT NO.	REV	
A	220-12/00	-	
SCALE: 1:3	WEIGHT: lbs.	SHEET 1 OF 2	

5

4

3

2

1

E

E

D

D

C

C

B

B

A

A