

5

4

3

2

1

E

E

D

D

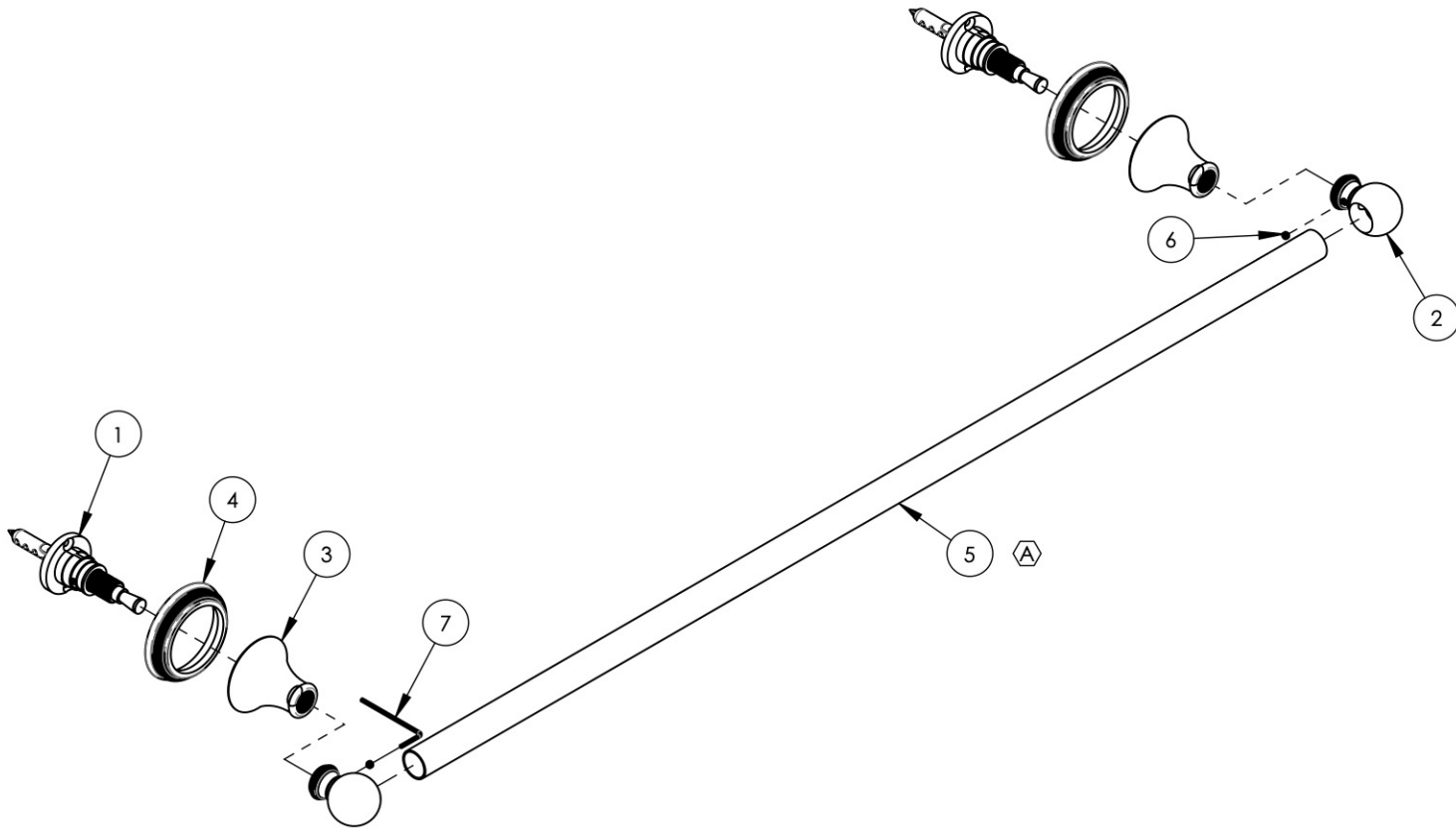
C

C

B

B

ITEM NO.	PART NUMBER	DESCRIPTION	QTY.
1	2-104	MOUNTING KIT WITH EXTENSION	2
2	10530/00	POST, TOWEL BARS, COINED SERIES	2
3	10972/00	HUB, TRANSITIONAL 3RING	2
4	10978/00	ESCUTCHEON HANDLE BASE COINED, 3RING, COINED SERIES	2
5	11064/00	BAR TUBE, FOR 30" TOWEL BAR	1
6	92248	SET SCREW, CUP POINT 8-32 UNC, 1/8" L.	2
7	P39001	HEX KEY 5/64, FOR 8-32 SET SCREW	1



C3	A	UPDATE TEMPLATE & TUBE	4/10/2020	AMM
ZONE	REV.	DESCRIPTION	DATE	APPROVED
REVISIONS				

1261 LOGAN AVENUE
COSTA MESA, CALIFORNIA 92626
PHONE: 714.361.4800
FAX: 714.617.3120

PHYLIRICH®
Defining Luxury Since 1959

PROPRIETARY AND CONFIDENTIAL
THE INFORMATION CONTAINED IN THIS DRAWING IS THE SOLE PROPERTY OF PHYLIRICH. ANY REPRODUCTION IN PART OR AS A WHOLE WITHOUT THE WRITTEN PERMISSION OF PHYLIRICH IS PROHIBITED.

-	-	INTERPRET GEOMETRIC DIMENSIONING & TOLERANCING IN ACCORDANCE WITH ASME Y14.5-2009 & ASME Y14.41-2003 STANDARDS, UNLESS OTHERWISE SPECIFIED. DIMENSIONS ARE IN INCHES. TOLERANCES ARE:		
NEXT ASSY	USED ON	FRACTIONS ±1/16"	DECIMALS X.X: ±.1 X.XX: ±.01 X.XXX: ±.005	ANGULAR ±2°
APPLICATION		MATERIAL	NAME	DATE
FINISH		DRAWN	LLO	9/24/2015
DO NOT SCALE DRAWING		CHECKED	GRE	

TOWEL BAR 30", COINED SERIES

SIZE	ASM/PRT NO.	REV
A	208-72/00	A
SCALE: 1:4.5	WEIGHT: lbs.	SHEET 1 OF 2

5

4

3

2

1

A

A