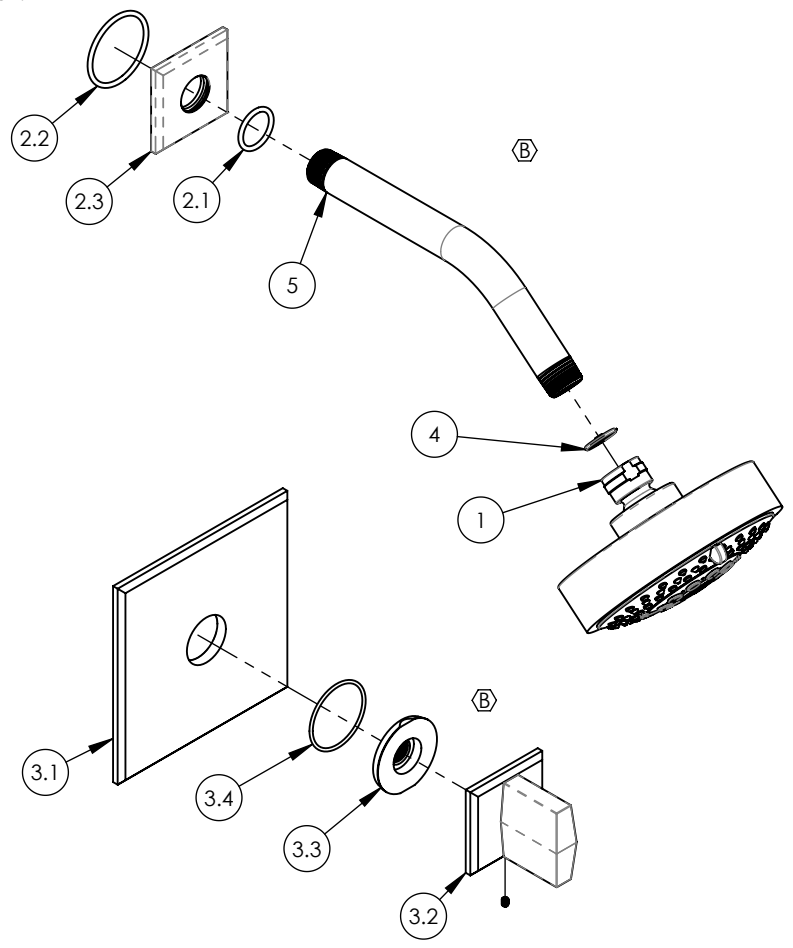


- NOTE(S):
- PART NUMBER, "/00" DENOTES PART SHALL HAVE FINISH.
  - APPLY NSF COMPLIANT GREASE TO ANY O-RING, SEALING JOINTS, AND/OR PIVOTAL POINTS.
  - APPLY NSF COMPLIANT LOCTITE TO THREADED AREA.
  - APPLY NSF COMPLIANT REMOVABLE (BLUE) LOCTITE TO THREADED AREA.
  - SILVER SOLDER JOINTS SHALL BE FULLY WETTED VIA CAPILLARY ACTION AND COMPLETELY NON-POROUS.
  - FOR DEEPER ESCUTCHEON:
    - 3-601/00
    - 92401

- G
- L
- B
- S

B



ITEM NO.	PART NUMBER	DESCRIPTION	QTY.
1	3-454/00	SHOWER HEAD MULTI. FUNC. CONTEMP.	1
2	3-714/00	SHOWER FLANGE, DIAMA	1
2.1	90117	O-RING, 7/8"ID X 33/32"THK., AS-568-117	1
2.2	90129	O-RING, 1-9/16"ID X 3/32"THK, AS-568-129	1
2.3	11765/00	ESCUTCHEON, SHOWER FLANGE, DIAMA	1
3	4-559/00	SHOWER PLATE, BLADE HANDLE, TRIM ONLY, DIAMA	1
3.1	11770/00	PLATE, SHOWER TRIM, DIAMA	1
3.2	3-595/00	ASSY, BLADE HANDLE, DIAMA	1
3.3	11003	SLEEVE MOUNT, WALL MT WIDESPREAD	1
3.4	90029	O-RING, 1-5/8"ID X 1-3/4"OD X 1/16"THK, AS-568-029	1
4	11432	1.75 GPM FLOW REGULATOR	1
5	P16008/00	SHOWER ARM (8 INCH)	1

ALL	B	UPDATE SLEEVE MOUNT & HANDLE ASSY, ADD NOTE, REMOVE SHOWER SUBASSY, ADD FLANGE ASSY	2/23/2021	AMM
ZONE	REV.	DESCRIPTION	DATE	APPROVED
REVISIONS				

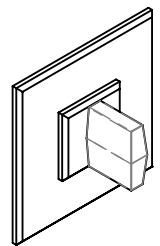
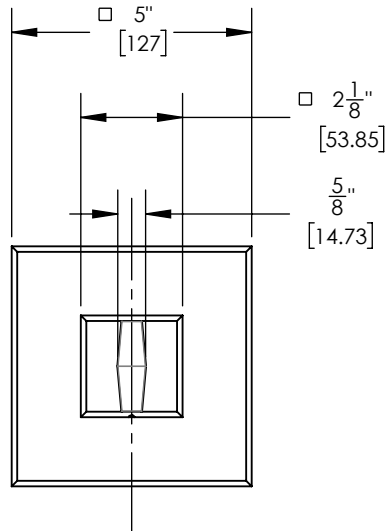
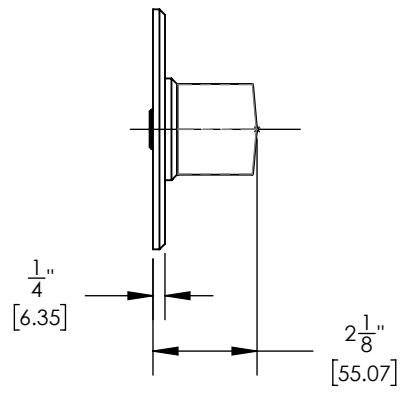
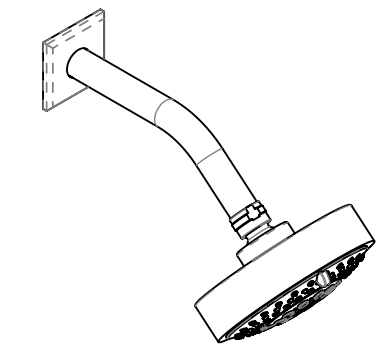
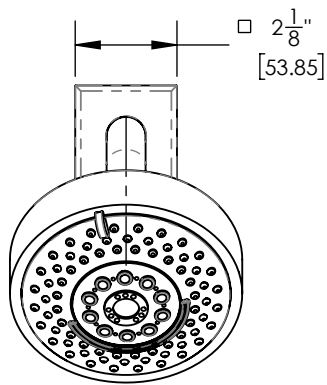
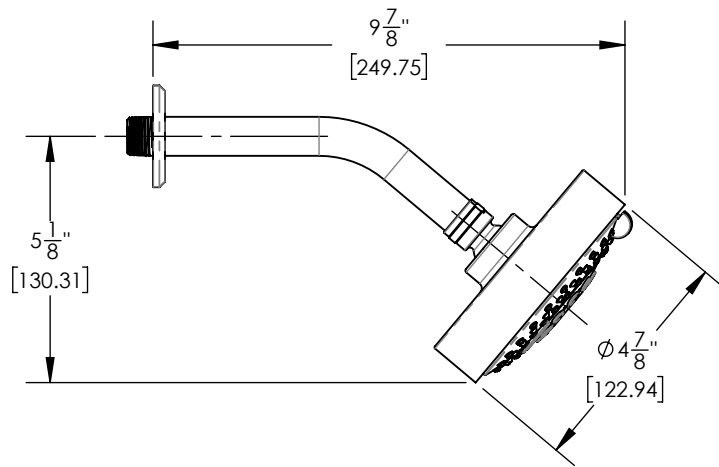
1261 LOGAN AVENUE  
COSTA MESA, CALIFORNIA 92626  
PHONE: 714.361.4800  
FAX: 714.617.3120

**PHYLIRICH**<sup>®</sup>  
Defining Luxury Since 1959

**PROPRIETARY AND CONFIDENTIAL**  
THE INFORMATION CONTAINED IN THIS DRAWING IS THE SOLE PROPERTY OF PHYLIRICH. ANY REPRODUCTION IN PART OR AS A WHOLE WITHOUT THE WRITTEN PERMISSION OF PHYLIRICH IS PROHIBITED.  
**DO NOT SCALE DRAWING**

PB SHOWER SET, BLADE HANDLE, DIAMA

SIZE <b>A</b>	ASM/PRT NO. 184-21/00	REV B
SCALE: 1:4	WEIGHT: lbs.	SHEET 1 OF 2



1261 LOGAN AVENUE  
COSTA MESA, CALIFORNIA 92626  
PHONE: 714.361.4800  
FAX: 714.617.3120

**PHYLIRICH**<sup>®</sup>  
Defining Luxury Since 1959

**PROPRIETARY AND CONFIDENTIAL**  
THE INFORMATION CONTAINED IN THIS DRAWING IS THE SOLE PROPERTY OF PHYLIRICH. ANY REPRODUCTION IN PART OR AS A WHOLE WITHOUT THE WRITTEN PERMISSION OF PHYLIRICH IS PROHIBITED.  
**DO NOT SCALE DRAWING**

PB SHOWER SET, BLADE HANDLE, DIAMA

SIZE <b>A</b>	ASM/PRT NO. 184-21/00	REV B
SCALE: 1:4	WEIGHT: lbs.	SHEET 2 OF 2