

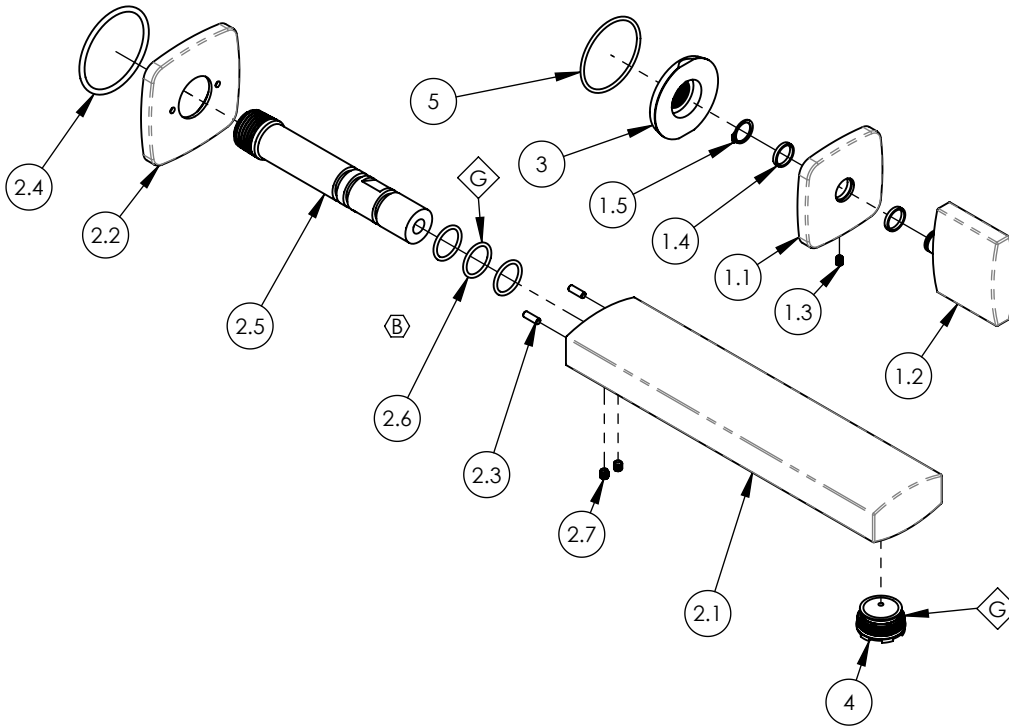
NOTE(S):
 1. PART NUMBER, "/00" DENOTES PART SHALL HAVE FINISH.

2. APPLY NSF COMPLIANT GREASE TO ANY O-RING, SEALING JOINTS, AND/OR PIVOTAL POINTS. G

3. APPLY NSF COMPLIANT LOCTITE TO THREADED AREA. L

4. APPLY NSF COMPLIANT REMOVABLE (BLUE) LOCTITE TO THREADED AREA. B

5. SILVER SOLDER JOINTS SHALL BE FULLY WETTED VIA CAPILLARY ACTION AND COMPLETELY NON-POROUS. S



| ITEM NO. | PART NUMBER | DESCRIPTION | QTY. |
|----------|-------------|--|------|
| 1 | 3-519/00 | ASSY, BLADE HANDLE, RADII | 1 |
| 1.1 | 11620/00 | ESCUTCHEON, HANDLE RADII | 1 |
| 1.2 | 11619/00 | HANDLE, BLADE, RADI | 1 |
| 1.3 | 92005 | SET SCREW, CUP PT 6-32 UNC THREAD 3/16"L | 1 |
| 1.4 | 92176 | WEAR WASHER | 2 |
| 1.5 | 92177 | RETAINING RING, 7/16" SHAFT | 1 |
| 2 | 3-523/00 | ASSY, WALL SPOUT, RADI | 1 |
| 2.1 | 11628/00 | WALL SPOUT, RADII | 1 |
| 2.2 | 11629/00 | ESCUTCHEON, WALL SPOUT, RADI | 1 |
| 2.3 | 92158 | DOWEL PIN, 1/8" X 3/8"L | 2 |
| 2.4 | 90131 | O-RING, 1-11/16ID X 3/32THK, AS-568-131 | 1 |
| 2.5 | 10013 | INJECTOR SHANK, 1/2"NPT MALE TO M16.5 CACHE W/ O-SEAL | 1 |
| 2.6 | 90113 | O-RING, 9/16"ID X 3/4"OD X 3/32"THK, AS-568-113 | 3 |
| 2.7 | 92008 | SET SCREW, CUP POINT 8-32, 3/16" L. | 2 |
| 3 | 11003 | SLEEVE MOUNT, WALL MT WIDESPREAD | 1 |
| 4 | 11427 | AERATOR, CACHE REG, PINK 1.2 GPM, M24X1.0, NEOPERL # 40.2360.010 | 1 |
| 5 | 90029 | O-RING, 1-5/8"ID X 1-3/4"OD X 1/16"THK, AS-568-029 | 1 |

| ZONE | REV. | DESCRIPTION | DATE | APPROVED |
|-----------|------|----------------|-----------|----------|
| C4 | B | UPDATE O-RINGS | 6/10/2021 | AMM |
| REVISIONS | | | | |

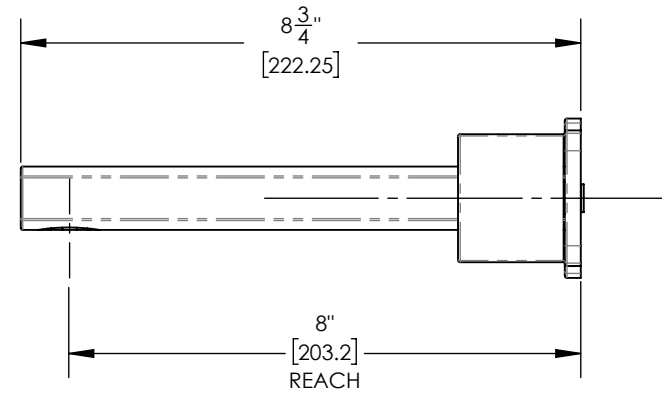
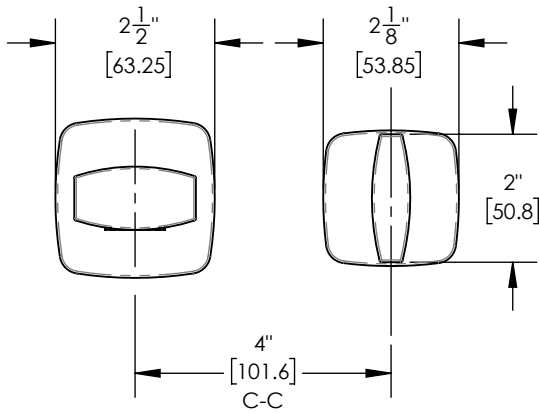
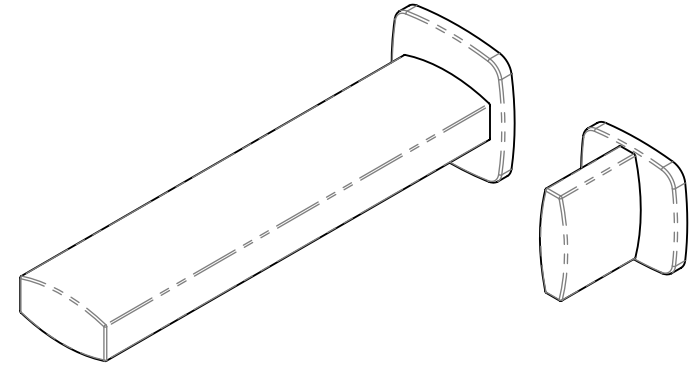
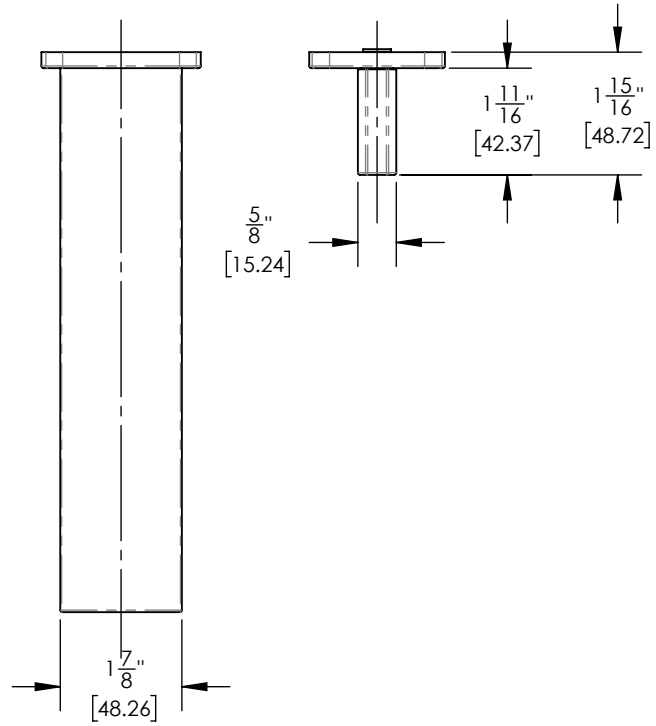
1261 LOGAN AVENUE
 COSTA MESA, CALIFORNIA 92626
 PHONE: 714.361.4800
 FAX: 714.617.3120

PHYL RICH[®]
 Defining Luxury Since 1959

PROPRIETARY AND CONFIDENTIAL
 THE INFORMATION CONTAINED IN THIS DRAWING IS THE SOLE PROPERTY OF PHYL RICH. ANY REPRODUCTION IN PART OR AS A WHOLE WITHOUT THE WRITTEN PERMISSION OF PHYL RICH IS PROHIBITED.
DO NOT SCALE DRAWING

ASSY, WALL LAV, SINGLE BLADE HANDLE, RADI

| | | |
|------------------|--------------------------|--------------|
| SIZE A | ASM/PRT NO. 181-15/00 | REV B |
| SCALE: 1:3.75 | WEIGHT: lbs. | SHEET 1 OF 2 |



1261 LOGAN AVENUE
COSTA MESA, CALIFORNIA 92626
PHONE: 714.361.4800
FAX: 714.617.3120

PHYLIRICH[®]
Defining Luxury Since 1959

PROPRIETARY AND CONFIDENTIAL
THE INFORMATION CONTAINED IN THIS DRAWING IS THE SOLE PROPERTY OF PHYLIRICH. ANY REPRODUCTION IN PART OR AS A WHOLE WITHOUT THE WRITTEN PERMISSION OF PHYLIRICH IS PROHIBITED.
DO NOT SCALE DRAWING

ASSY, WALL LAV, SINGLE BLADE HANDLE, RADI

| | | |
|------------------|--------------------------|--------------|
| SIZE A | ASM/PRT NO. 181-15/00 | REV B |
| SCALE: 1:3 | WEIGHT: lbs. | SHEET 2 OF 2 |