

5

4

3

2

1

E

E

D

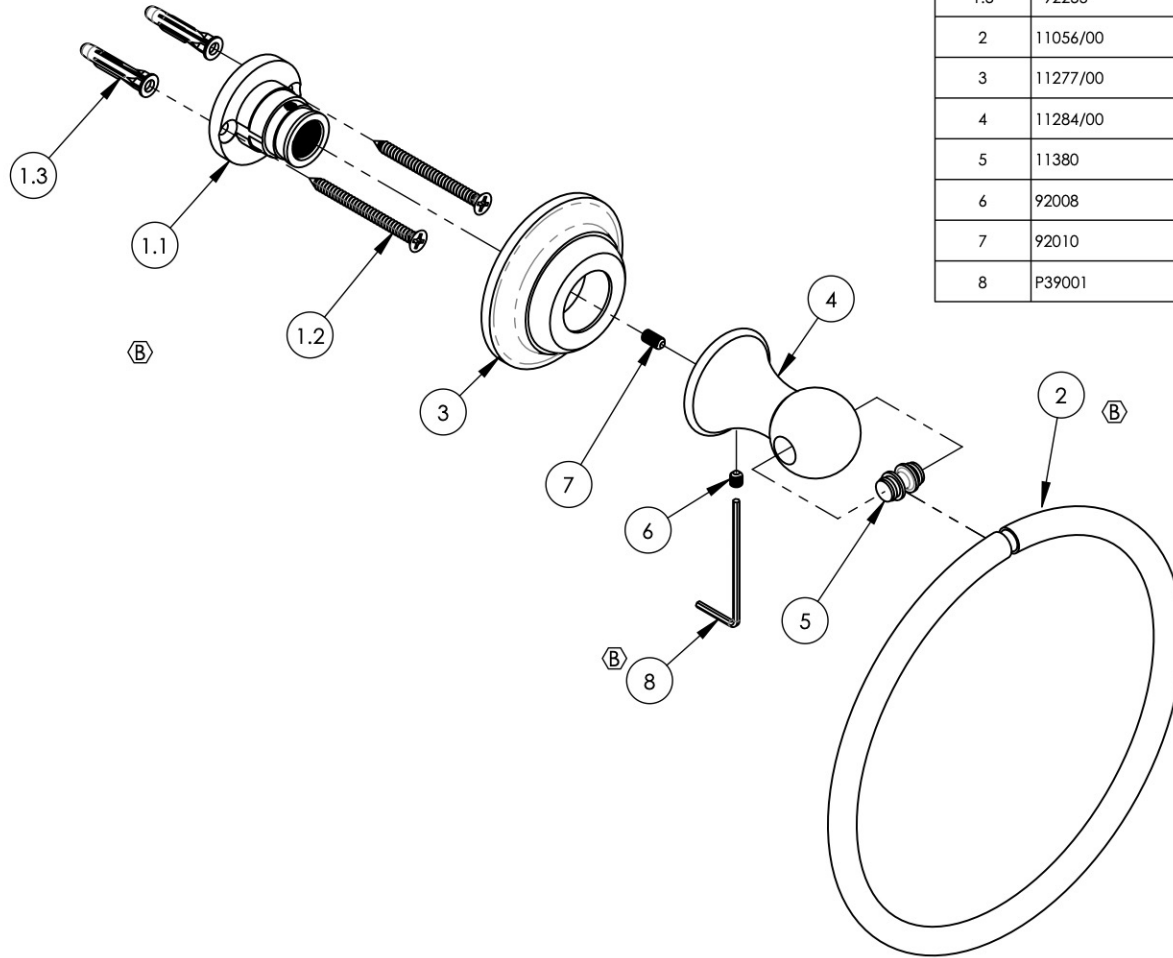
D

C

C

B

B



ITEM NO.	PART NUMBER	DESCRIPTION	QTY.
1	2-103	MOUNTING KIT WITH ADJUSTABLE THREADED PIN	1
1.1	11050	MOUNTING KIT, WALL FLANGE	1
1.2	92234	SCREW FOR WOOD, PHIL. NO. 8 X 1-1/2" L	2
1.3	92235	ANCHOR FOR DRYWALL, TWIST-ACTION NO. 6-8 SIZE	2
2	11056/00	6" TOWEL RING	1
3	11277/00	ESCUTCHEON, ACCESSORIES, MAISON	1
4	11284/00	POST, TOWEL RING, MAISON SERIES	1
5	11380	TOWEL RING INSERT	1
6	92008	SET SCREW, CUP POINT 8-32, 3/16" L.	1
7	92010	SET SCREW, CUP POINT 8-32UNC 5/16" LENGTH SS	1
8	P39001	HEX KEY 5/64, FOR 8-32 SET SCREW	1

ALL	B	UPDATE TEMPLATE, MOUNTING HARDWARE & TOWEL RING, ADD HEX KEY	7/30/2020	AMM
ZONE	REV.	DESCRIPTION	DATE	APPROVED
REVISIONS				

1261 LOGAN AVENUE
COSTA MESA, CALIFORNIA 92626
PHONE: 714.361.4800
FAX: 714.617.3120

PHYLIRICH[®]
Defining Luxury Since 1959

PROPRIETARY AND CONFIDENTIAL

THE INFORMATION CONTAINED IN THIS DRAWING IS THE SOLE PROPERTY OF PHYLIRICH. ANY REPRODUCTION IN PART OR AS A WHOLE WITHOUT THE WRITTEN PERMISSION OF PHYLIRICH IS PROHIBITED.

-	-	INTERPRET GEOMETRIC DIMENSIONING & TOLERANCING IN ACCORDANCE WITH ASME Y14.5-2009 & ASME Y14.41-2003 STANDARDS, UNLESS OTHERWISE SPECIFIED. DIMENSIONS ARE IN INCHES. TOLERANCES ARE:		
NEXT ASSY	USED ON	FRACTIONS ±1/16"	DECIMALS X.X: ±.1 X.XX: ±.01 X.XXX: ±.005	ANGULAR ±2°
APPLICATION				
MATERIAL				
FINISH	DRAWN	NAME	DATE	
	CHECKED	GRE	10/22/2015	
DO NOT SCALE DRAWING				

TOWEL RING, COURONNE

SIZE	ASM/PRT NO.	REV
A	163-75/00	B
SCALE: 1:2	WEIGHT: lbs.	SHEET 1 OF 2

5

4

3

2

1

A

A