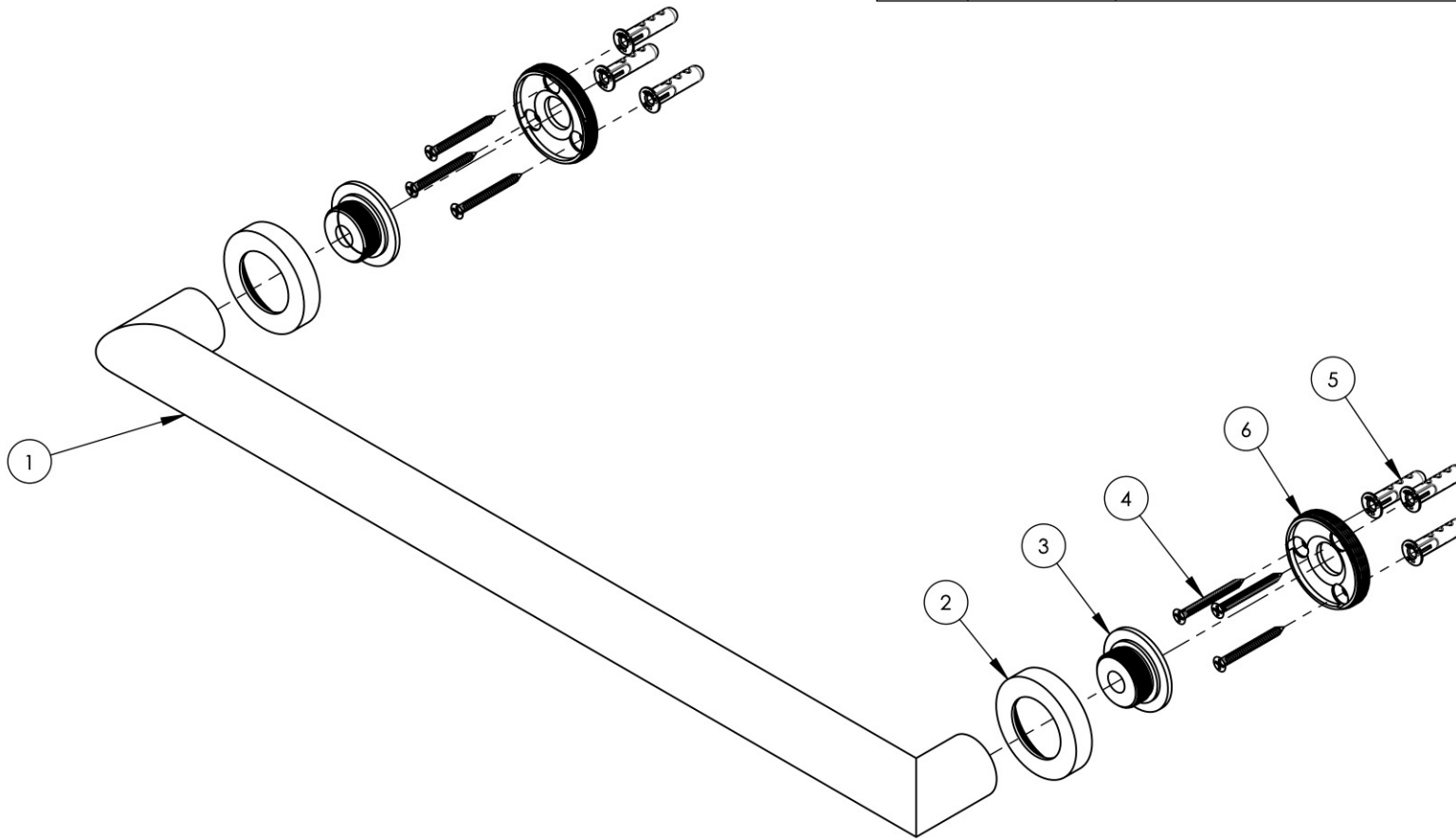


- NOTE(S):
- PART NUMBER, "/00" DENOTES PART SHALL HAVE FINISH.
 - APPLY NSF-COMPLIANT GREASE TO ANY O-RING, SEALING JOINTS, AND/OR PIVOTAL POINTS.
 - APPLY NSF-COMPLIANT LOCTITE TO THREADED AREA.
 - APPLY NSF-COMPLIANT REMOVABLE (BLUE) LOCTITE TO THREADED AREA.
 - SILVER SOLDER JOINTS SHALL BE FULLY WETTED VIA CAPILLARY ACTION AND COMPLETELY NON-POROUS.



ITEM NO.	PART NUMBER	DESCRIPTION	QTY.
1	2-268/00	ASSY, GRAB BAR, 24 INCH BRAZE	1
2	30399/00	ESCUTCHEON, GRAB BARS	2
3	30400/00	SPUD, GRAB BARS	2
4	92043	SCREW, FLAT HD #10 SIZE W/ #2 PHIL DRIVE, 2"L	6
5	92046	ANCHOR SCREW 3/8" HOLE, TOGGLER AF10	6
6	92367	MOUNTING BRACKET, GRAB BAR	2



ZONE	REV.	DESCRIPTION	DATE	APPROVED
REVISIONS				

1261 LOGAN AVENUE
COSTA MESA, CALIFORNIA 92626
PHONE: 714.361.4800
FAX: 714.617.3120

PHYLIRICH[®]
Defining Luxury Since 1959

PROPRIETARY AND CONFIDENTIAL
THE INFORMATION CONTAINED IN THIS DRAWING IS THE SOLE PROPERTY OF PHYLIRICH. ANY REPRODUCTION IN PART OR AS A WHOLE WITHOUT THE WRITTEN PERMISSION OF PHYLIRICH IS PROHIBITED.
DO NOT SCALE DRAWING

GRAB BAR 24", TRANSITION

SIZE A	ASM/PRT NO. 120-87/00	REV -
SCALE: 1:4	WEIGHT: lbs.	SHEET 1 OF 2