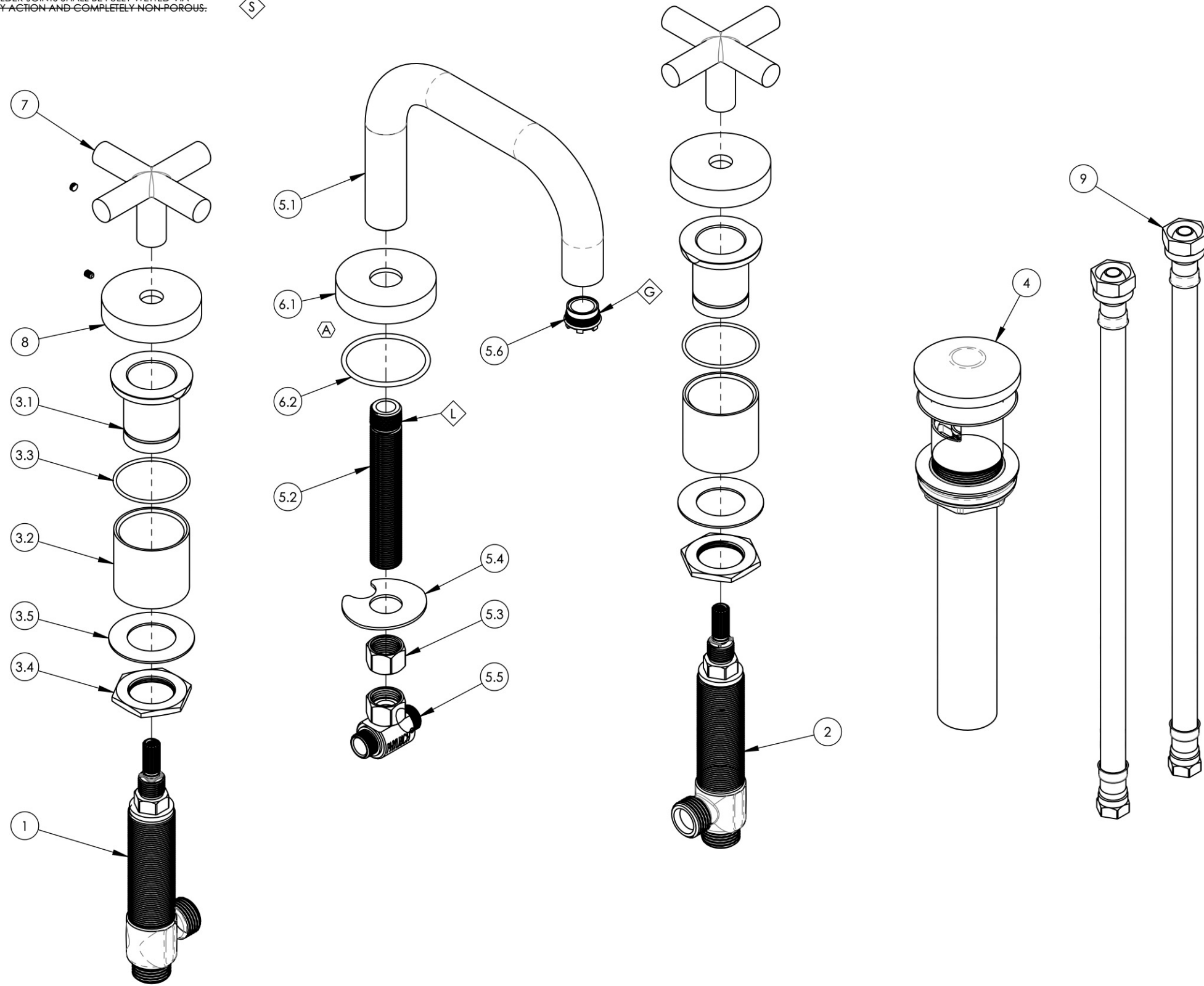


- NOTE(S):
1. PART NUMBER, "/00" DENOTES PART SHALL HAVE FINISH.
  2. APPLY NSF COMPLIANT GREASE TO ANY O-RING, SEALING JOINTS, AND/OR PIVOTAL POINTS.
  3. APPLY NSF COMPLIANT LOCTITE TO THREADED AREA.
  4. APPLY NSF COMPLIANT REMOVABLE (BLUE) LOCTITE TO THREADED AREA.
  5. SILVER SOLDER JOINTS SHALL BE FULLY WETTED VIA CAPILLARY ACTION AND COMPLETELY NON-POROUS.

- ◇ G
- ◇ L
- ◇ B
- ◇ S

ITEM NO.	PART NUMBER	DESCRIPTION	QTY.
1	1-149	WIDESPREAD VALVE LAV 16PT, HOT, ONLY	1
2	1-150	WIDESPREAD VALVE LAV 16PT, COLD, ONLY	1
3	2-092	RECESSED MOUNTING KIT FOR WIDESPREAD	2
3.1	10998	SLEEVE MOUNT, WIDESPREAD	1
3.2	92180	EXTENSION SLEEVE, WIDESPREAD	1
3.3	90029	O-RING, 1-5/8"ID X 1-3/4"OD X 1/16"THK, AS-568-029	1
3.4	92251	HEX NUT, 1"-20 THREAD	1
3.5	92252	WASHER, 1-1/32" ID 1-13/16" OD	1
4	3-545/00	BRASS PUSH TYPE DRAIN, W/ OVERFLOW & SMALL PLUG	1
5	3-574/00	SPOUT, WIDESPREAD, SQUARE	1
5.1	11704/00	SPOUT, SQUARE, WIDESPREAD	1
5.2	10745	THREAD ALL, 3/8"-18 NPSL - 3/8"NPT	1
5.3	10746	NUT, 3/8"-18 NPSL	1
5.4	92174	WASHER MOUNT WIDESPREAD (3/8")	1
5.5	1-112	TEE VALVE, 3/8" NPSM X 3/8" COMPRESSION	1
5.6	11428	AERATOR, CACHE T.J, 1.2GPM PCA PINK, 43.2260.450	1
6	3-575/00	ESCUTCHEON WITH SEAL, SPOUT, TRANSITION	1
6.1	11705/00	ESCUTCHEON, SPOUT	1
6.2	90131	O-RING, 1-11/16ID X 3/32THK, AS-568-131	1
7	3-580/00	HANDLE CROSS W/ SET SCREW, TRANSITION	2
8	3-590/00	ESCUTCHEON W/ SET SCREW, TRANSITION	2
9	10982	HOSE, 3/8" COMP. X 1/2" NPSM - 12'L	2



D6	A	ADD SPOUT BASE SUB ASSEMBLY	5/21/2021	AMM
ZONE	REV.	DESCRIPTION	DATE	APPROVED
REVISIONS				

1261 LOGAN AVENUE  
 COSTA MESA, CALIFORNIA 92626  
 PHONE: 714.361.4800  
 FAX: 714.617.3120

**PHYLIRICH**<sup>®</sup>  
 Defining Luxury Since 1959

**PROPRIETARY AND CONFIDENTIAL**  
 THE INFORMATION CONTAINED IN THIS DRAWING IS THE SOLE PROPERTY OF PHYLIRICH. ANY REPRODUCTION IN PART OR AS A WHOLE WITHOUT THE WRITTEN PERMISSION OF PHYLIRICH IS PROHIBITED.  
**DO NOT SCALE DRAWING**

**WIDESPREAD LAV, LOW SQUARE SPOUT WITH CROSS, TRANSITION**

SIZE <b>B</b>	ASM/PRT NO. 120-03/00	REV <b>A</b>
SCALE: 1:2.5	WEIGHT: lbs.	SHEET 1 OF 2