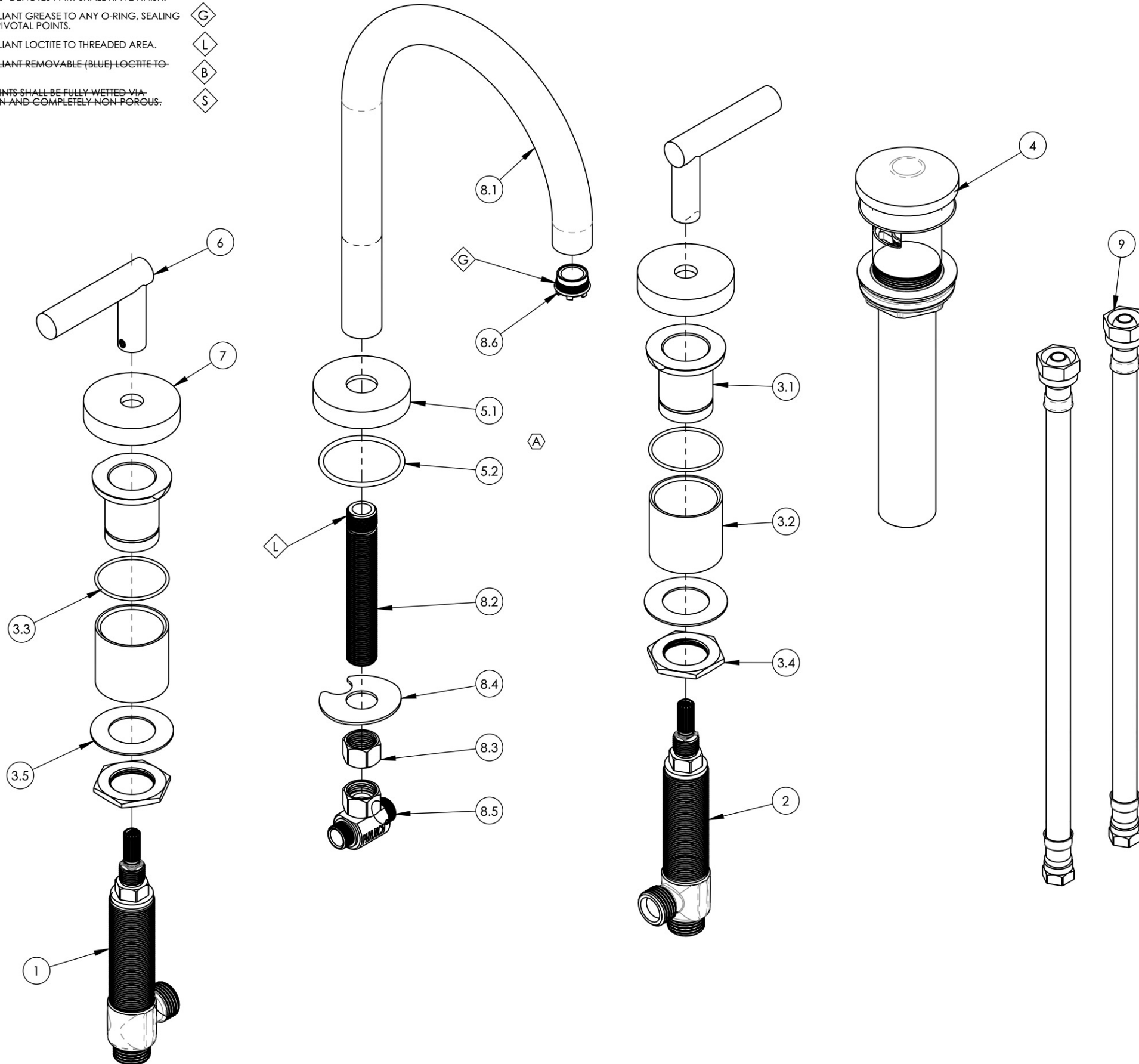


- NOTE(S):
 1. PART NUMBER, "/00" DENOTES PART SHALL HAVE FINISH.
 2. APPLY NSF COMPLIANT GREASE TO ANY O-RING, SEALING JOINTS, AND/OR PIVOTAL POINTS. **G**
 3. APPLY NSF COMPLIANT LOCITE TO THREADED AREA. **L**
 4. APPLY NSF COMPLIANT REMOVABLE (BLUE) LOCITE TO THREADED AREA. **B**
 5. SILVER SOLDER JOINTS SHALL BE FULLY WETTED VIA CAPILLARY ACTION AND COMPLETELY NON-POROUS. **S**



ITEM NO.	PART NUMBER	DESCRIPTION	QTY.
1	1-149	WIDESPREAD VALVE LAV 16PT, HOT, ONLY	1
2	1-150	WIDESPREAD VALVE LAV 16PT, COLD, ONLY	1
3	2-092	RECESSED MOUNTING KIT FOR WIDESPREAD	2
3.1	10998	SLEEVE MOUNT, WIDESPREAD	1
3.2	92180	EXTENSION SLEEVE, WIDESPREAD	1
3.3	90029	O-RING, 1-5/8"ID X 1-3/4"OD X 1/16"THK, AS-568-029	1
3.4	92251	HEX NUT, 1"-20 THREAD	1
3.5	92252	WASHER, 1-1/32" ID 1-13/16" OD	1
4	3-545/00	BRASS PUSH TYPE DRAIN, W/ OVERFLOW & SMALL PLUG	1
5	3-575/00	ESCUTCHEON WITH SEAL, SPOUT, TRANSITION	1
5.1	11705/00	ESCUTCHEON, SPOUT	1
5.2	90131	O-RING, 1-11/16ID X 3/32THK, AS-568-131	1
6	3-581/00	HANDLE LEVER W/ SET SCREW, TRANSITION	2
7	3-590/00	ESCUTCHEON W/ SET SCREW, TRANSITION	2
8	3-634/00	ASSY, ARC SPOUT, WIDESPREAD, TRANSITION	1
8.1	11163/00	SPOUT TUBE 3/4", LAV	1
8.2	10745	THREAD ALL, 3/8"-18 NPSL - 3/8"NPT	1
8.3	10746	NUT, 3/8"-18 NPSL	1
8.4	92174	WASHER MOUNT WIDESPREAD (3/8")	1
8.5	1-112	TEE VALVE, 3/8" NPSM X 3/8" COMPRESSION	1
8.6	11428	AERATOR, CACHE TJ, 1.2GPM PCA PINK, 43.2260.450	1
9	10982	HOSE, 3/8" COMP. X 1/2" NPSM - 12'L	2

D6	A	ADD SPOUT BASE SUB ASSEMBLY	5/21/2021	AMM
ZONE	REV.	DESCRIPTION	DATE	APPROVED
REVISIONS				

1261 LOGAN AVENUE
 COSTA MESA, CALIFORNIA 92626
 PHONE: 714.361.4800
 FAX: 714.617.3120

PHYLIRICH®
 Defining Luxury Since 1959

PROPRIETARY AND CONFIDENTIAL
 THE INFORMATION CONTAINED IN THIS DRAWING IS THE SOLE PROPERTY OF PHYLIRICH. ANY REPRODUCTION IN PART OR AS A WHOLE WITHOUT THE WRITTEN PERMISSION OF PHYLIRICH IS PROHIBITED.
DO NOT SCALE DRAWING

WIDESPREAD LAV, HIGH ARC SPOUT WITH LEVER, TRANSITION		SIZE B	ASM/PRT NO. 120-02/00	REV A
SCALE: 1:2.5		WEIGHT: lbs.	SHEET 1 OF 2	