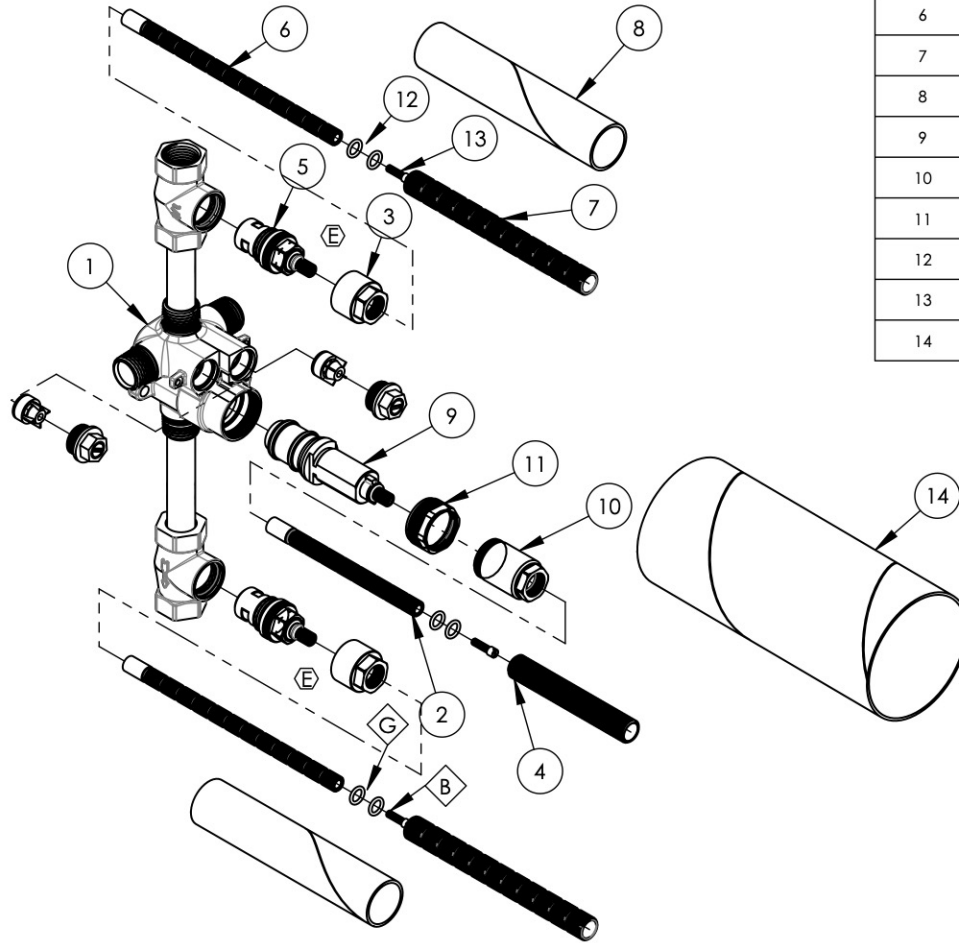


- NOTE(S):
1. PART NUMBER, "/00" DENOTES PART SHALL HAVE FINISH.
 2. APPLY NSF COMPLIANT GREASE TO ANY O-RING, SEALING JOINTS, AND/OR PIVOTAL POINTS.
 3. APPLY NSF COMPLIANT LOCTITE TO THREADED AREA.
 4. APPLY NSF COMPLIANT REMOVABLE (BLUE) LOCTITE TO THREADED AREA.
 5. SILVER SOLDER JOINTS SHALL BE FULLY WETTED VIA CAPILLARY ACTION AND COMPLETELY NON-POROUS.



ITEM NO.	PART NUMBER	DESCRIPTION	QTY.
1	2-273	BODY BRAZE, 1/2" THERMOSTATIC W/ TWO VOL CTRL	1
2	10054	STEM EXTENSION, 6" LONG 20PT INT. TO 16PT LONG EXT. BROACH	1
3	11321	CARTRIDGE RETAINER NUT	2
4	10209	SHANK, NIPPLE THREAD ALL 9/16"-20UN WITH .433"ID	1
5	11540	CARTRIDGE, 1/2"G 20PT HOT, HI-TRQ LLL, EXACTO	2
6	11416	STEM EXTENSION, 20PT TO 16PT, XXL	2
7	11498	ALL THREAD, EXTENSION, 9/16"-20, 5-9/16"L, XXL	2
8	11648	MUD GUARD, CARDBOARD, LONG	2
9	11973	CARTRIDGE MINI-THERM. VALVE, INTEGRATED LIMIT STOP, THERMOSTAR S18 TYP 2	1
10	12073	COVER SLEEVE ADAPTOR, MINI THERM, FOR INTEGRATED LIMIT STOP	1
11	12076	RETAINER NUT, NEW CRTRIDGE W/ INTEGRATED STOP	1
12	90011	O-RING, 5/16"ID X 1/16"THK, AS-568-011	6
13	92157	SCREW, SMALL HD M4X0.7 - 1/2"L	3
14	12274	MUD GUARD, CARDBOARD, MEDI THERM, 3-1/8" OD X 7-1/4" LENGTH	1

B4, D4	E	UPDATE CARTRIDGE & NUT	10/13/2023	LFV
ZONE	REV.	DESCRIPTION	DATE	APPROVED
REVISIONS				

1261 LOGAN AVENUE
COSTA MESA, CALIFORNIA 92626
PHONE: 714.361.4800
FAX: 714.617.3120

PHYL RICH[®]
Defining Luxury Since 1959

PROPRIETARY AND CONFIDENTIAL
THE INFORMATION CONTAINED IN THIS DRAWING IS THE SOLE PROPERTY OF PHYL RICH. ANY REPRODUCTION IN PART OR AS A WHOLE WITHOUT THE WRITTEN PERMISSION OF PHYL RICH IS PROHIBITED.
DO NOT SCALE DRAWING

1/2" MINI-THERMOSTATIC VALVE W/ TWO VOL CTRL, 5" C2C

SIZE A	ASM/PRT NO. 1-138	REV E
SCALE: 1:4.25	WEIGHT: lbs.	SHEET 1 OF 2